

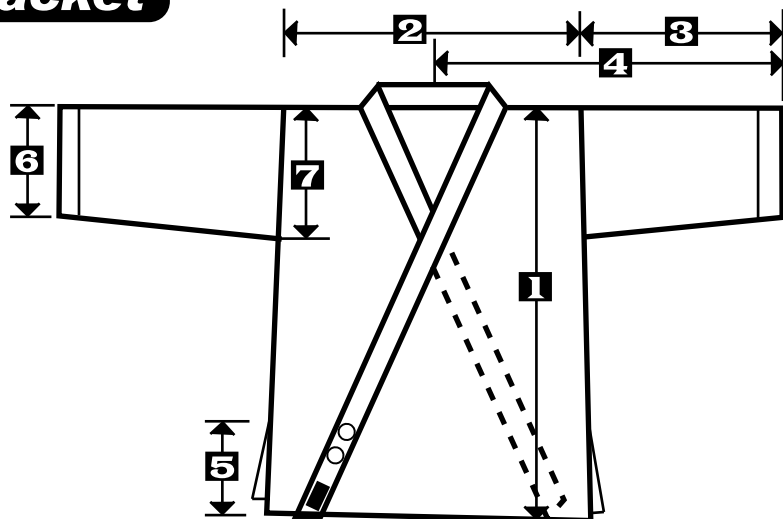
=== Custom Order ===

↑ FAX+81-3-3864-9646



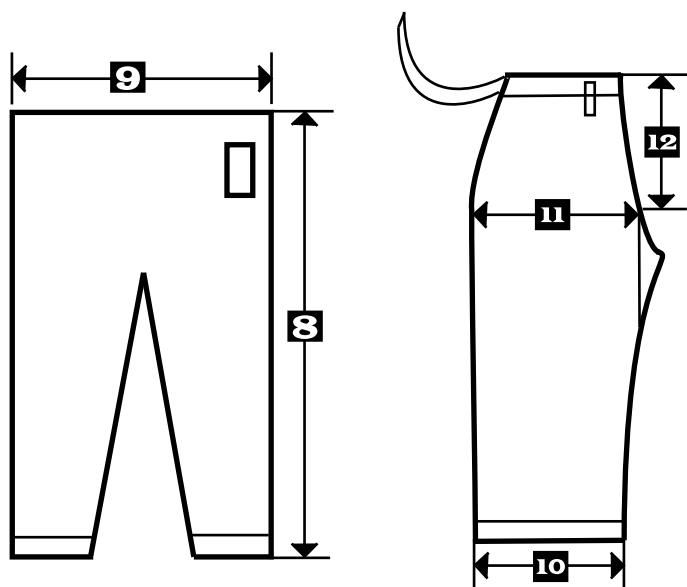
*please select ⇒ These sizes are before it shrinks or after it shrinks.

Jacket



1	Length of jacket	cm
2	Width of shoulders	cm
3	Length of sleeves	cm
4		cm
5	Length of slits	cm
6		cm
7	Width of armhole	cm

Pants



8	Length of pants	cm
9	Width of waist	cm
10		cm
11		cm
12	the rise	cm
Waist type	Normal	High waist <small>*Extra charge. ¥4,000.</small>

Height	cm
Weight	kg
Exact size of waist	cm

*Please fill in the exact size of the waist at the high waist type order.

Kind of cloth	
Label	

[Embroidery]

NAME on Jacket		Chest Mark	
NAME on Pants		Sleeve name/mark	

NAME /		
Address /		
e-mail	TEL	FAX

ETOKYODO
INTERNATIONAL

1-10-9 YANAGIBASHI TAITO-KU
TOKYO JAPAN

TEL:+81-3-3866-2997
FAX:+81-3-3864-9646

✉ : info@tokyodo-in.co.jp